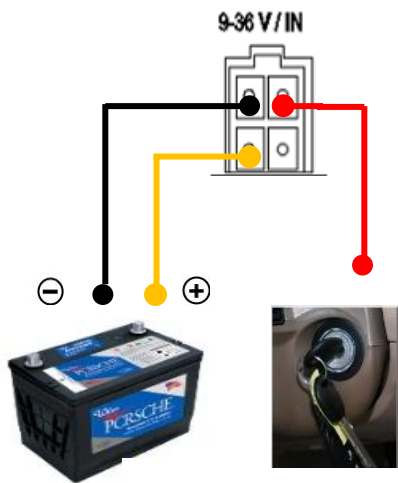


QIG: POWER

The power consumption of 4CH AHD MDVR is 4.8W without network function.

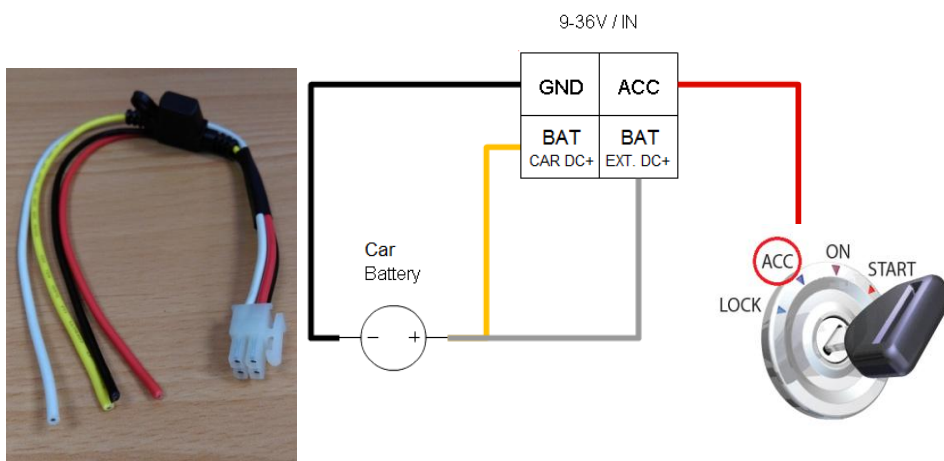
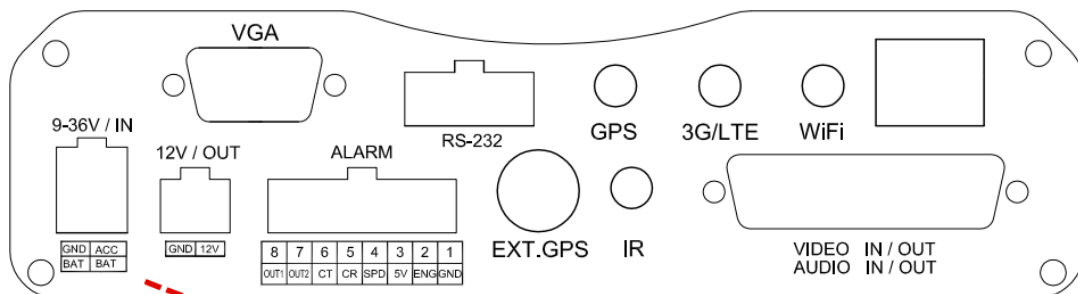


※Note:

- **Enable** to keep recording under engine switch off.(Defaults)
MDVR power cable connect with a car :
Red line connect “ACC+”, Yellow line connect “Battery”.
- **Disable** the function:
Combine Red 、 Yellow Line to connect “ACC+” .

POWER CONNECT –

1. Aviation plug MODE :



2. BNC MODE :

